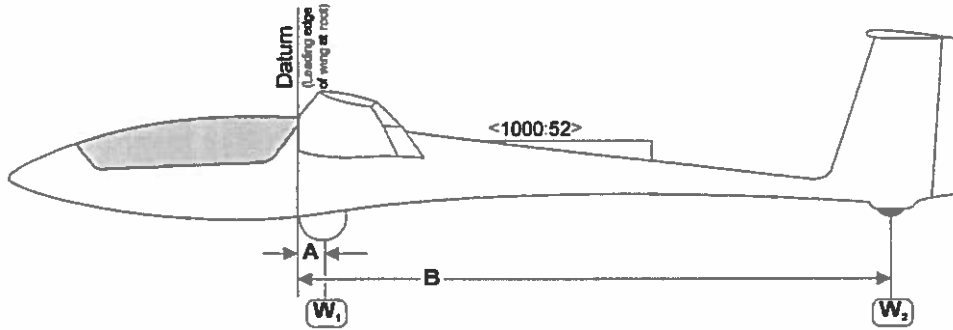


STATEMENT OF WEIGHT AND BALANCE



Aircraft Information

Manufacturer /Type: Schleicher- ASK-21 N 202GG S/N 21832

Date Recorded: 8/1/2015 By: Brett R. Mayes *[Signature]*
 A&P 569452428

Installed Equipment:

- 2 Winter Airspeed indicators
- 2 United Altimeters
- 2 Winter Variometers
- 2 Accelerometers
- Becker Radio
- Becker Transponder
- 2 V3 electric variometers
- 2 22 cuft O2 cylinders
- 2 Mountain High EDS O2 systems
- 1 7AH battery

Limits:

Forward CG Limit: **9.21 in.**
 Aft CG Limit: **18.46 in.**
 Max Gross Weight **1320 Lbs.**

Weights / Wing Loading:

Wing Area **193.0 Sq. Ft**
 Empty Weight **873.0 Lbs.**
 As Flown Wt. **1031.00 Lbs.**

Empty **4.52 Lbs/Sq. Ft.**
 As Flown **5.34 Lbs/Sq. Ft.**

Measured Data:

A = **25.95 in.** datum to main gear
 B = **212.70 in.** datum to tail wheel
 W₁ (Empty) = **853.0 Lbs.** W₁ (As Flown) = **.0 Lbs.**
 W₂ (Empty) = **20.0 Lbs.** W₂ (As Flown) = **.0 Lbs.**

Center of Gravity:

CG = $\frac{(W_1 \cdot A) + (W_2 \cdot B)}{(W_1 + W_2)}$

CG (Empty) = **30.23 in.**
 CG (As Flown) = **18.45 in = 99.9% of allowable aft limit**

Reference Data:

	Weight	Arm	Moment
Glider - Empty	873.0 Lbs.	30.23 in.	26,389 in./Lbs.
As Flown			in./Lbs.
Front Pilot	158.0 Lbs.	-46.65 in.	-7,371 in./Lbs.
Rear Pilot	.0 Lbs.	-3.15 in.	
Panel Equip.			
Baggage	.0 Lbs.	9.84 in.	
			19,019 in./Lbs.
			18.45 in